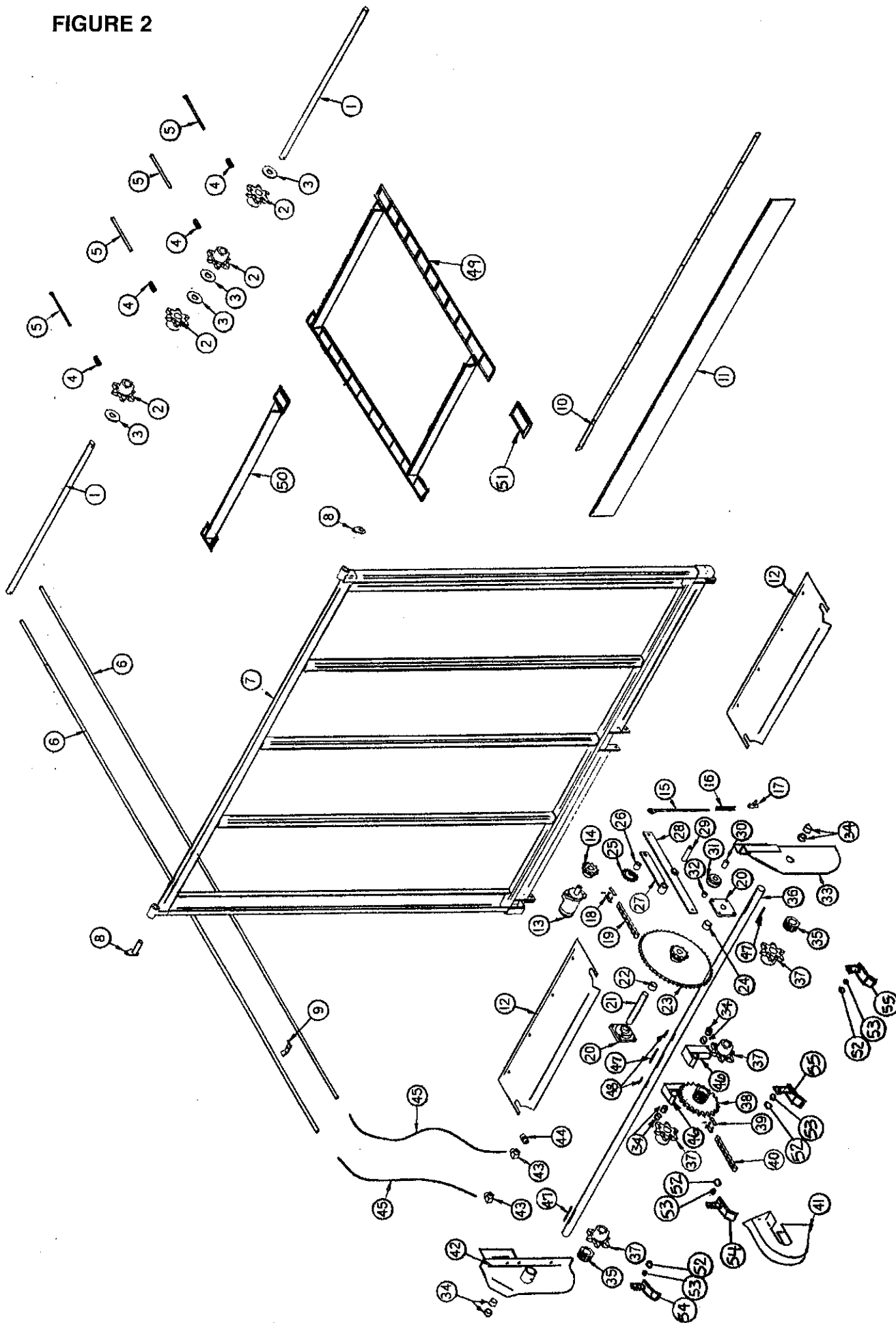


**FIGURE 1**  
**“INDUSTRIAL WIDE BODY” REAR UNLOAD POWER BOX**  
**LIGHTING ASSEMBLY (Wagon and Chassis Mount)**

ITEM	PART NO.	DESCRIPTION
1.	S308	Rubber Light Mount
2.	S309	Amber Light
3.	S310	Red Light
4.	PB187	Light Harness
5.	PB109	18' Longitudinal Cord
	PB110	20' Longitudinal Cord
	PB158	22' Longitudinal Cord
	PB222	24' Longitudinal Cord
6.	PB111	Taillight Brackets
7.	S317	Optional Tractor Cord
*	PB112	18' Complete Light Assembly Less Optional Tractor Cord
*	PB188	20' Complete Light Assembly Less Optional Tractor Cord
*	PB189	22' Complete Light Assembly Less Optional Tractor Cord
*	PB223	24' Complete Light Assembly Less Optional Tractor Cord

**NOTE:** \* (Means Not Shown)

FIGURE 2

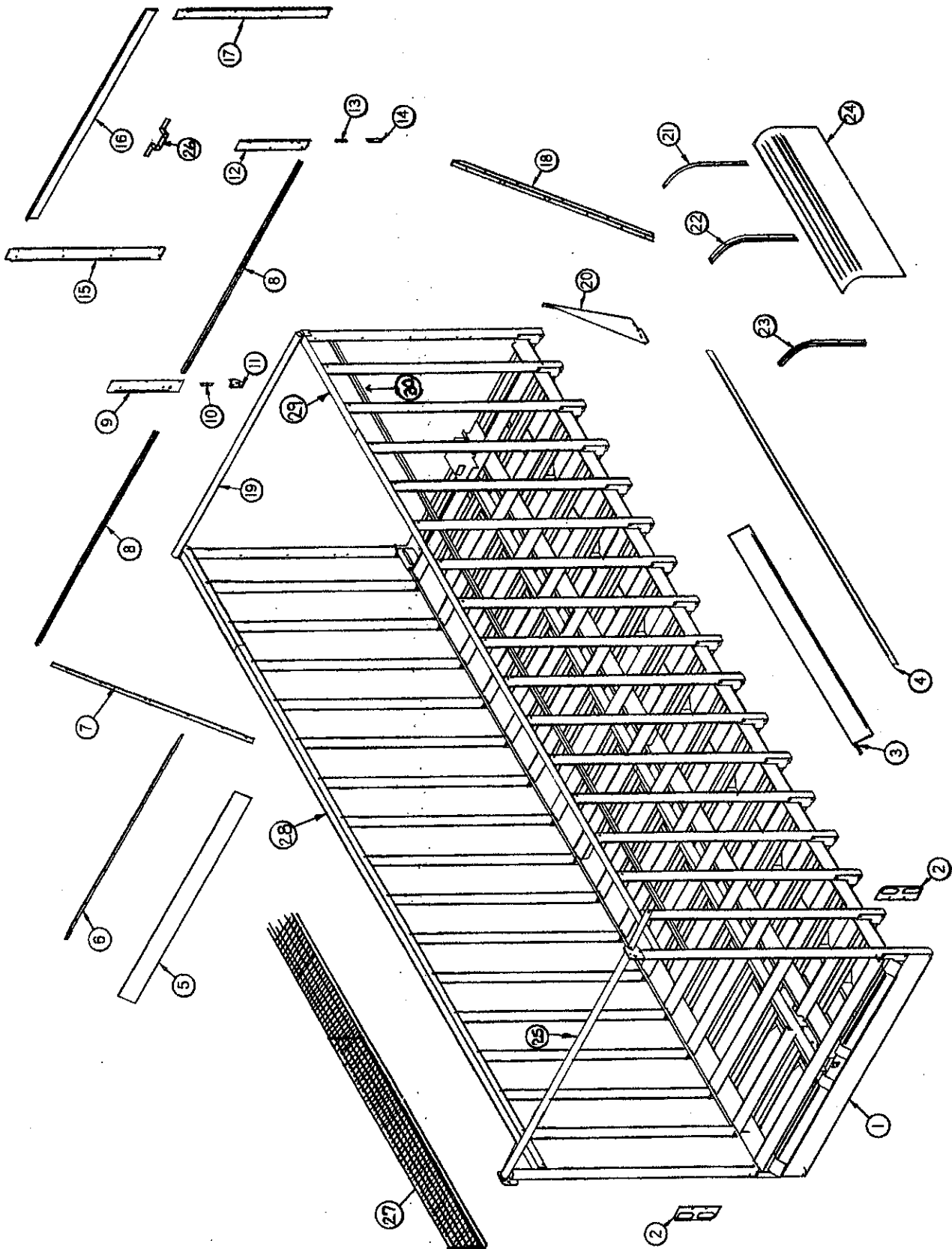


**FIGURE 2  
DOOR-APRON-DRIVE & IDLER ASSEMBLY**

ITEM	PART NO. POLY BONDED SIDES		PART NO. ALUMINIZED SIDES			DESCRIPTION
	22'	24'	18'	20'	22'	
1.	S63	"	"	"	"	Idler Shaft
2.	S60	"	"	"	"	Idler sprocket
3.	S61	"	"	"	"	Idler shaft spacer
4.	WM210	"	"	"	"	Spring-Red
5.	S7	"	"	"	"	Idler Bolt 1/2 x 9-1/2"
6.	PB173	IFB1	IFB62	PB220	PB173	Hydraulic Pipe
7.	IFB2	"	"	"	"	Back Door Frame Work
8.	IFB3	"	"	"	"	Door Hinge Pin
9.	23N67	"	"	"	"	Pipe Clamp
10.	PB155	"	"	"	"	Seal Strap
11.	PB154	"	"	"	"	Rubber Seal
12.	PB74	"	"	"	"	Drive Shaft Panel
13.	16SV150	"	"	"	"	Hydraulic Motor
14.	IFB4	"	PB170	"	IFB4	Motor Sprocket
15.	IFB5	"	"	"	"	Tightener Rod
16.	23N211	"	"	"	"	Spring
17.	23N206	"	"	"	"	Tightener Rod Holder
18.	F157	"	D39	"	F157	Connector Link
19.	16SV330	"	PB172	"	16SV330	Chain
20.	45N67	"	"	"	"	Bearing W/Holder
21.	IFB6	"	"	"	"	Short Idler Shaft
22.	R17	"	"	"	"	Short Idler Spacer
23.	IFB8	"	IFB7	"	IFB8	Short Idler Sprocket
24.	R57	"	"	"	"	Spacer
25.	12V77	"	12N42	"	12V77	Sprocket
26.	IFB9	"	"	"	"	Primary Drive Spacer
27.	IFB10	"	"	"	"	Short Tightener
28.	IFB11	"	"	"	"	Long Tightener
29.	IFB12	"	"	"	"	Tightener Axle Pivot
30.	IBF13	"	"	"	"	Poly Chain Tightener Axle
31.	IFB14	"	"	"	"	Chain Tightener Roller
32.	IFB23	"	"	"	"	Spacer
33.	IFB15	"	"	"	"	RH Drive Shaft Mount
34.	S50	"	"	"	"	Bushing
35.	PB175	"	"	"	"	Latch Sprocket
36.	PB167	"	"	"	"	Drive Shaft
37.	S37	"	"	"	"	Drive Shaft Sprockets
38.	IFB16	"	PB171	"	IFB16	Center Drive Shaft Sprocket
39.	33SV77	"	IFB17	"	33SV77	Connector Link (Heavy)
40.	IFB18	"	PB195	"	IFB18	Chain (Heavy)
41.	IFB19	"	"	"	"	Center Drive Shield
42.	IFB20	"	"	"	"	LH Drive Shaft Mount
43.	IFB21	"	"	"	"	Elbow-90 Degrees
44.	•PB185	"	"	"	"	Check Valve
45.	16SV144	"	"	"	"	Hose 1/2" x 41"
46.	PB183	"	"	"	"	Center Bearing Bracket
47.	PB133	"	"	"	"	Key (3) 3/8" SQ. x 4-3/8"
48.	PB87	"	"	"	"	Key (2) 3/8" SQ. x 2"
49.	—	—	S59	PB179	—	Complete T-Rod Apron
* 50.	PB165	IFB22	PB180	PB178	PB165	Complete 667XH Apron
* 51.	—	—	S54	"	—	T-Rod Slat W/Att. Link
* 52.	PB177	"	—	PB177	"	667XH Pintle Slat W/Att. Link
* 53.	—	—	S55	"	"	T-Rod Link
* 54.	PB181	"	"	"	"	66XH Pintle Connector Link
* 55.	PB182	"	"	"	"	667XH Pintle Att. Link LH or RH
56.	A34	"	"	"	"	Latch Washer
57.	PB61	"	"	"	"	Latch Pivot
58.	PB58	"	"	"	"	Latch Bracket LH
59.	PB57	"	"	"	"	Latch Bracket RH
* 60.	—	—	PB161	"	"	Back Door Aluminized Panels
* 61.	IFB61	"	—	—	—	Back Door Poly Bonded Panels (2)

**NOTE:** \* (Means Not Shown)  
• (Indicates Use on Chassis or Running Gear Models Only)  
" (Same as Part # to Left)  
— (Part is Not Used on This Model)

FIGURE 3



**FIGURE 3  
BOX ASSEMBLY**

ITEM	PART NO. POLY BONDED SIDES		PART NO. ALUMINIZED SIDES			DESCRIPTION
	22'	24'	18'	20'	22'	
1.	IFB25	IFB26	IFB24	IFB25	IFB26	Main Frame
2.	PB111	"	"	"	"	Light Bracket
3.	PB146	"	"	"	"	Center Floor Ridge
4.	IFB27	"	"	"	"	Filler Corner
5.	PB154	"	"	"	"	Front Rubber
6.	PB155	"	"	"	"	Rubber Holddown
7.	IFB28	"	"	"	"	Angle Bracket LH
8.	IFB29	"	—	—	—	Panel Angle
9.	IFB30	"	IFB45	"	"	Front Door Bottom Left
10.	S199	"	"	"	"	Door Hinge LH
11.	S198	"	"	"	"	LH Stake Hinge
12.	IFB31	"	IFB46	"	"	Front Door Bottom Right
13.	S193	"	"	"	"	Door Hinge RH
14.	S194	"	"	"	"	RH Stake Hinge
15.	IFB43	"	IFB32	"	"	Top Front Panel LH
16.	IFB33	"	IFB88	"	"	Top Front Door Panel
17.	IFB44	"	IFB34	"	"	Top Front Panel RH
18.	IFB35	"	"	"	"	Angle Bracket RH
19.	IFB36	"	"	"	"	Cross Front Brace
20.	IFB37	"	"	"	"	Inside Deflector B
21.	IFB38	"	"	"	"	Left Hood Support-Option
22.	IFB39	"	"	"	"	Center Hood Support-Option
23.	IFB40	"	"	"	"	Right Hood Support-Option
24.	IFB41	"	"	"	"	Roof Hood-Option
25.	IFB42	"	"	"	"	Top Rear Brace
26.	•PB29	"	"	"	"	Hose Holder
27.	IFB47	IFB84	IFB85	IFB86	IFB47	Expanded Metal Screen LH
*	IFB111	IFB112	IFB113	IFB114	IFB111	Expanded Metal Screen RH
28.	IFB65	IFB67	IFB69	IFB63	IFB65	LH Top Rail
29.	IFB66	IFB68	IFB70	IFB64	IFB66	RH Top Rail
30.	IFB115	IFB116	IFB117	IFB118	IFB115	RH Top Angle
*	IFB119	IFB120	IFB121	IFB122	IFB119	IH Top Angle
*	IFB71	IFB72	—	—	—	Poly Bonded Sides (2 pcs. p/side)
*	IFB73	"	—	—	—	Poly Bonded Front Top Panel (1)
*	IFB74	"	—	—	—	Poly Bonded Front Tailgate Panel (1)
*	IFB87	"	—	—	—	Inside Shelf Poly Panel (2)
*	—	—	S150	S299PB	—	Aluminized Side Panels Top
*	—	—	IFB75	IFB76	—	Aluminized Side Panels Bottom
*	—	—	—	—	IFB77	Aluminized Side Panel Top-A
*	—	—	—	—	IFB78	Aluminized Side Panel Top-B
*	—	—	—	—	IFB79	Aluminized Side Panel Bottom-A
*	—	—	—	—	IFB80	Aluminized Side Panel Bottom-B
*	—	—	PB151	"	—	Aluminized Front Panels Top
*	—	—	PB150	"	"	Aluminized Front Panels Bottom
*	—	—	PB152	"	"	Aluminized Front Tailgate Panel
*	PB145	IFB83	IFB81	IFB82	PB145	Poly Bonded Floor Panels

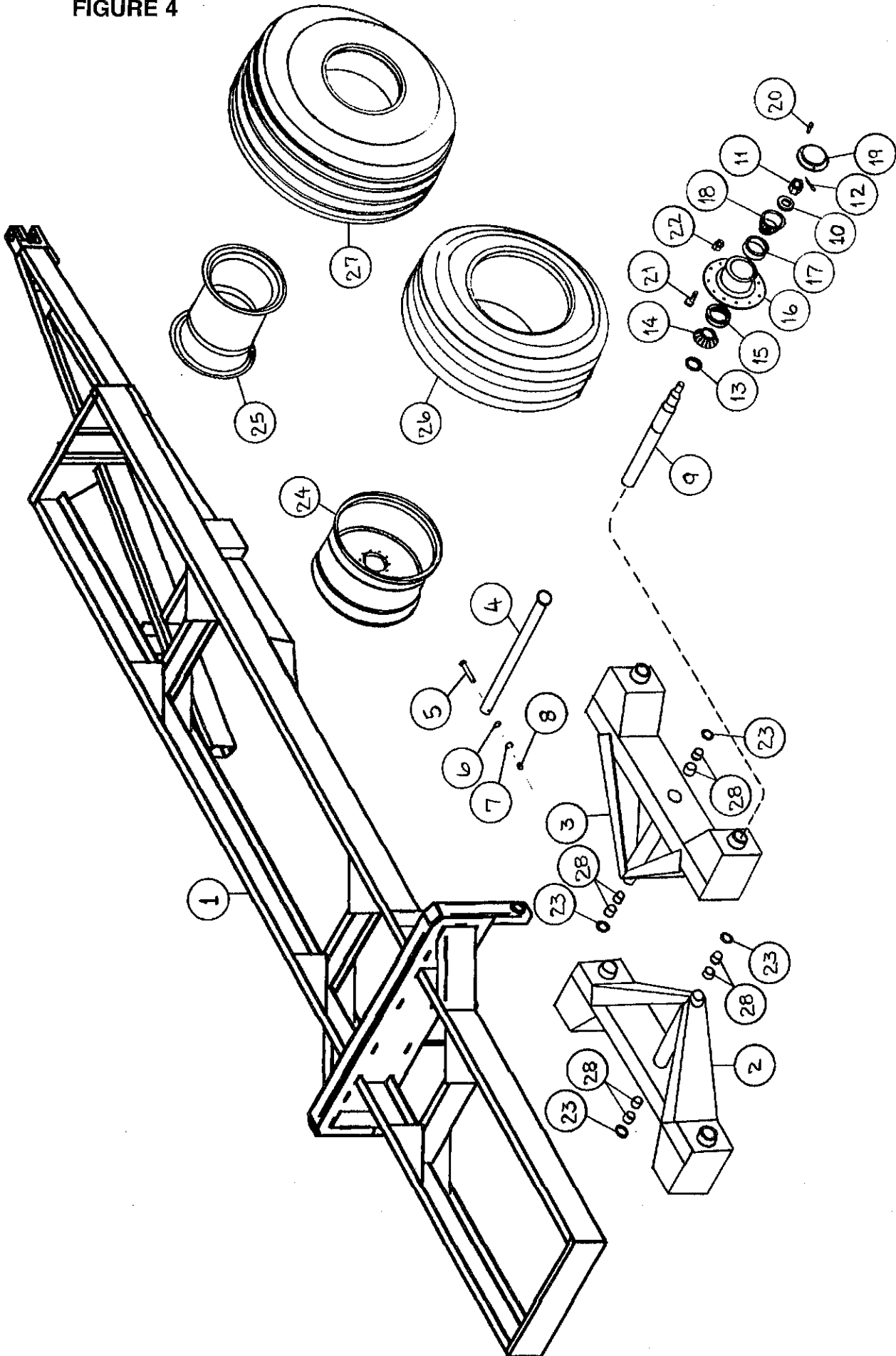
**NOTE:** \* (Means Not Shown)

• (Indicates Use on Chassis or Running Gear Models Only)

" (Same as Part # to Left)

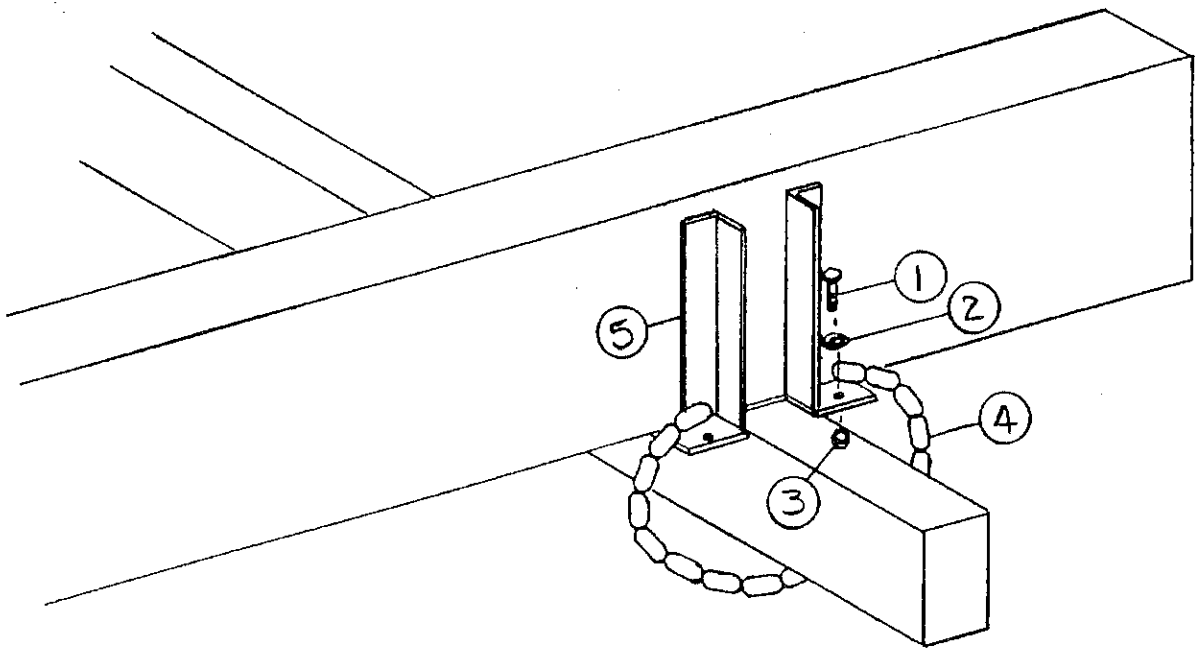
— (Part is Not Used on This Model)

FIGURE 4



**FIGURE 4**  
**CHASSIS MOUNT FRAME**

<b>ITEM</b>	<b>PART NO.</b>	<b>DESCRIPTION</b>
1.	FBC1	Main Frame
2.	50N151	LH Tandem Beam
3.	50N152	RH Tandem Beam
4.	50N153	Tandem Pin
5.	RG174	Bolt 5/8" x 5" GR.5
6.	RG8	5/8" Flat Washer
7.	T69	5/8" Lock Washer
8.	T68	5/8" Nut
9.	60N1	Spindle (10 Bolt Hub)
*	50N5	Spindle (8 Bolt Hub)
10.	60N2	Spindle Washer (10 Bolt Hub)
*	B4	Spindle Washer (8 Bolt Hub)
11.	60N3	Spindle Nut (10 Bolt Hub)
*	T35	Spindle Nut (8 Bolt Hub)
12.	60N4	Cotter Pin (10 Bolt Hub)
*	33SV46	Cotter Pin (8 Bolt Hub)
13.	60N5	Seal (10 Bolt Hub)
*	33SV42	Seal (8 Bolt Hub)
14.	60N7	Inner Bearing (10 Bolt Hub)
*	33SV43	Inner Bearing (8 Bolt Hub)
15.	60N6	Inner Race (10 Bolt Hub)
*	33SV44	Inner Race (8 Bolt Hub)
16.	60N8	Hub (10 Bolt Hub)
*	33SV45	Hub (8 Bolt Hub)
17.	60N10	Outer Race (10 Bolt Hub)
*	RG169	Outer Race (8 Bolt Hub)
18.	60N9	Outer Bearing (10 Bolt Hub)
*	RG170	Outer Bearing (8 Bolt Hub)
19.	60N11	Hub Cap (10 Bolt Hub)
*	RG171	Hub Cap (8 Bolt Hub)
20.	60N12	Hub Cap Bolt (10 Bolt Hub)
21.	60N13	Stud (10 Bolt Hub)
*	33SV41	Stud (8 Bolt Hub)
22.	60N14	Stud Nut (10 Bolt Hub)
*	RG72	Stud Nut (8 Bolt Hub)
23.	RG59	Spacer
24.	60N15	Wheel (22.5 x 13.5, 10 Bolt)
*	16SV89	Wheel (22.5 x 13.5, 8 Bolt)
25.	60N16	Wheel (16.1 x 18, 10 Bolt)
*	50N6	Wheel (16.1 x 18, 8 Bolt)
26.	16SV88	Tire (425 x 22.5, Truck)
27.	50N7	Tire (21.51 x 16.1, Flotation)
28.	50N8	Tandem Pin Bushing



**FIGURE 5**  
**TIE DOWN KIT - RUNNING GEAR MOUNT**

ITEM	PART NO.	DESCRIPTION
1.	12V45	1/2" x 1-1/2" GR.5 Bolt
2.	K68	1/2" Flat Washer
3.	R11	1/2" Top Lock Nut GR.5
4.	S322	1/4" Chain 30-1/4" Long
5.	S323	Tie Down Bracket
6.	T9B	Tie Down Kit - Complete